



Acetyl Resin End Caps

A bottling company needed a longer-lasting actuation alternative. Bimba was able to develop a solution that provided faster delivery, lower cost and utilized proven technology to produce a longer-lasting product. The solution was also able to simplify installation, allowing the maintenance individual to use fewer tools, therefore, reducing the potential for damage.

Specifications

Springs: Stainless Steel

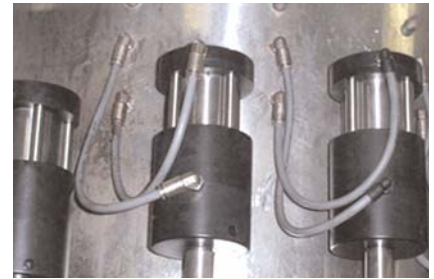
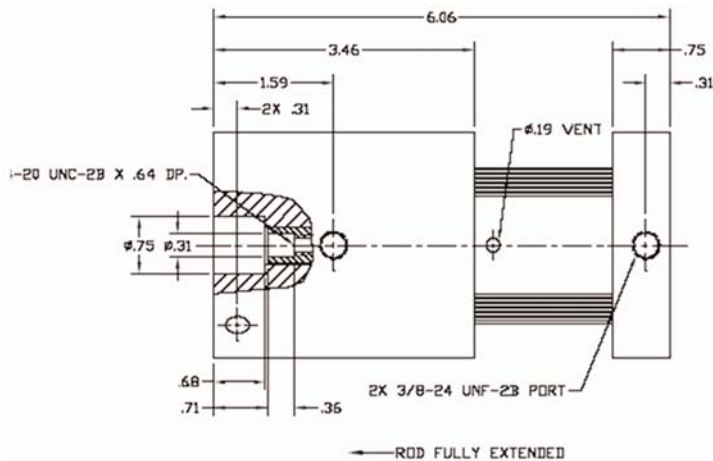
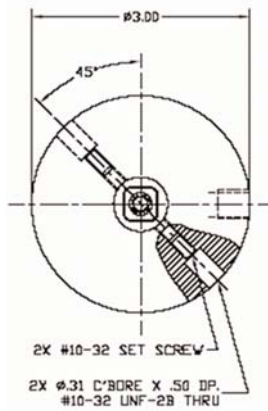
(10 lbs extended – 30 lbs retracted)

–1.375/1.75 bore spring-centered design)

End caps: Black Delrin

Rod: Non-Rotating

Lubrication: FDA Approved



Contact Bimba at 1-800-44-BIMBA or visit bimba.com/distrib/distrib.htm

to search for your local distributor

www.bimba.com/solutionsshop