



Lift Table

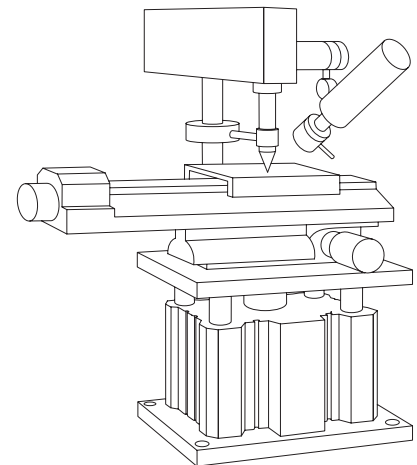
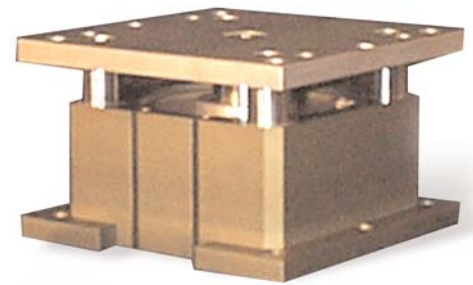
A manufacturer of medical devices had space constraints and a tricky procedure to tap into catheters. Bimba developed a low-profile lift table with outstanding rigidity and minimal height to move a cross slide into position. Guided with four shafts for maximum rigidity, the lift table could handle offset loads and moments and provide a convenient wide tooling mounting surface. The result was a precise, cost-effective solution that gave the manufacturer the accuracy, repeatability and durability necessary to run the manufacturing procedure thousands of times.

Specifications

Operating Medium: Air

Maximum Operating Pressure: (10 bar) 140psi

Temperature Range: -10 to +70 degrees C (15 to 160 degrees F)



Contact Bimba at [1-800-44-BIMBA](tel:1-800-44-BIMBA) or visit bimba.com/distrib/distrib.htm
to search for your local distributor

www.bimba.com/solutionsshop